

MITSUBISHI

FTO

The Unofficial Owner's

SAMPLE



Foreword

This manual has been written for people that have imported a Mitsubishi FTO into the United Kingdom from Japan, hopefully it has covered all major information to acquaint you with your vehicle.

As I have discovered every FTO is a bit different due to the many maker options available, this manual has tried to cover most of the important of those i.e. A.B.S. Braking, T.C.L. Traction Control, Air Bags, etc.

Throughout this manual the words  **Caution** and  **Warning** appear, These serve as reminders to be especially careful. Failure to follow these instructions could result in personal injury or damage to your FTO.

Acknowledgements

Certain illustrations are the copyright of Mitsubishi Motors. Thanks are also due to many FTO owners on the Internet ,who have over the months provided some of the additional information, and to all those people who helped in the production of this manual. Special thanks to Amanda Bassett and Adrian Wright.

A list of useful Internet sources can be found at the back of this manual.

Disclaimer

I have taken great care in the accuracy of information given in this manual, but vehicle manufacturers make alterations and design changes during the production run of a particular vehicle of which we can not know of. No liability can be accepted by the authors or distributors for any damage or injury caused by any errors in, or omissions from, the information given.

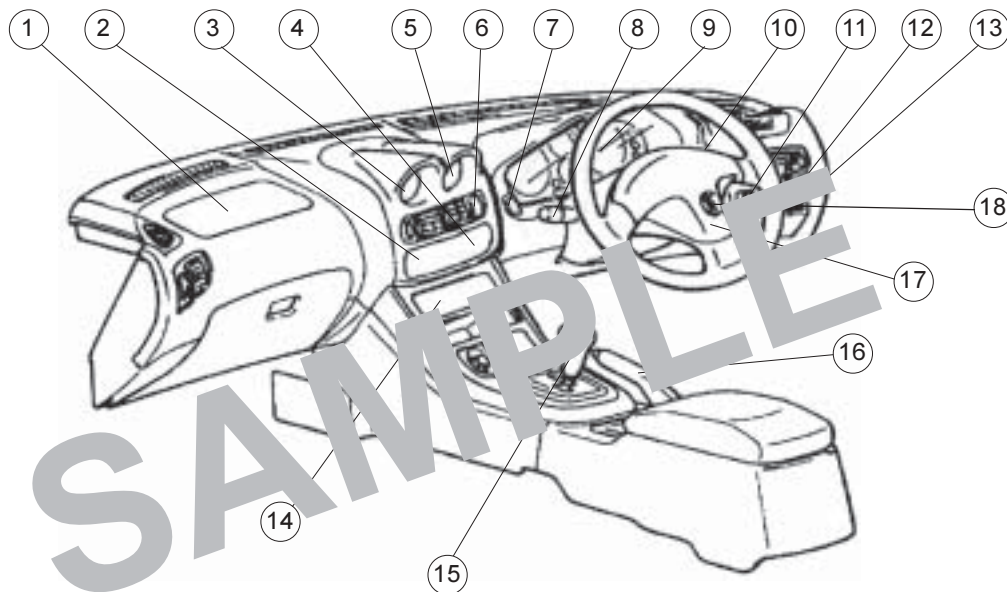
First Published in 1999
Reprinted in 2000
Reprinted in 2000 by GWC Group Ltd
Updated and Reprinted in 2002 by GWC Group Ltd.

<http://www.mitsubishi-fto.org>

Copyright © Steve Hemming 1999 - 2002. All rights reserved.

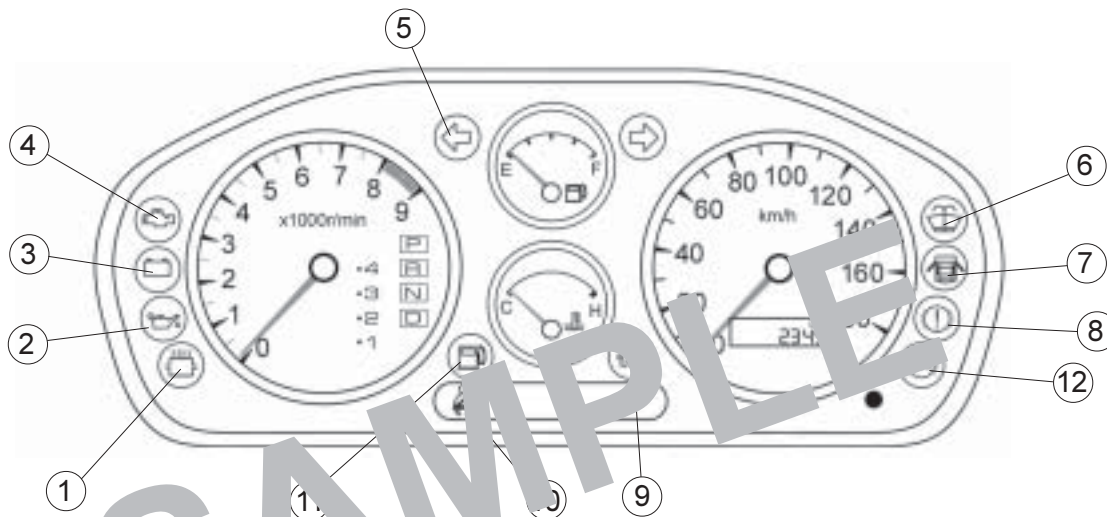
Printed in 2002 by GWC Group Ltd, The Communications Centre, Dorcan, Swindon, Wiltshire. SN38 1GW Tel : +44 1793 451000

Interior and Panel Overview



- | | | | |
|----|--|-----|--|
| 1. | Passenger Air Bag | 10. | Front Fog Lamp Switch |
| 2. | Heater/Air Conditioner Controls | 11. | Combination Switch (headlamps, turn signal etc) |
| 3. | Clock | 12. | Traction Control Switch |
| 4. | Real Window Demister Control | 13. | Electric remote controlled outside rear view mirror switch |
| 5. | Voltage Meter | 14. | Stereo |
| 6. | Hazard Warning Flasher Switch | 15. | Gear Shift / Automatic Shift Lever |
| 7. | Motorised Antenna Switch | 16. | Parking Brake Lever |
| 8. | Windscreen Wiper / Rear Wiper / Washer | 17. | Driver Air Bag |
| 9. | Meters and Gauges | 18. | Ignition Switch |

Indication and Warning Lamps



1. Exhaust Warning Lamp
2. Oil Pressure Warning Lamp
3. Battery Warning Lamp
4. Engine System Warning Lamp
5. Turn-signal indication / Hazard Warning Lamp
6. Washer Reservoir Tank Warning Lamp

7. Door-ajar Warning Lamp
8. Brake / Hand Brake Warning Lamp
9. High Beam Indication
10. Seat Belt Reminder
11. Low Fuel Warning Lamp
12. ABS Warning Lamp

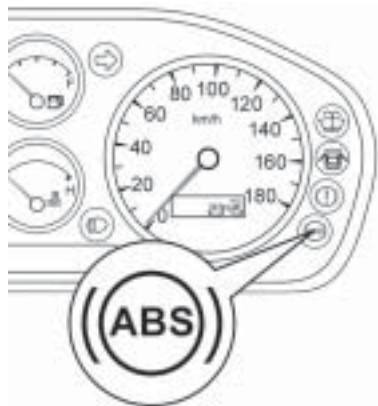
Anti-lock Brake System (A.B.S.)*

When the brakes are applied on a moving vehicle, excessive force on the brake pedal in snow, ice, oil, etc., on the road surface could cause the vehicle to skid. If such a skid occurs, the braking force will be reduced and the braking distance increased, and the vehicle could turn sideways and go into a spin with the driver losing control.

The A.B.S. prevents the wheels from locking during braking, thus maintaining directional stability, ensuring control is maintained, and providing optimum braking force.

Driving Hints

1. With A.B.S. fitted, steering during sudden braking (when the A.B.S. function) differs slightly from when the brakes are not being applied. Steer the vehicle carefully in these conditions.
2. The braking distance for vehicles equipped with an A.B.S. is generally shorter than for those without. Because this difference will vary according to the road condition and other factors, maintain a safe distance from the vehicle in front of you as for a vehicle not equipped with an A.B.S.
3. Also, braking distances on gravel or snowy roads may be longer than for a vehicle not equipped with an A.B.S., these roads should be driven at reduced speed.

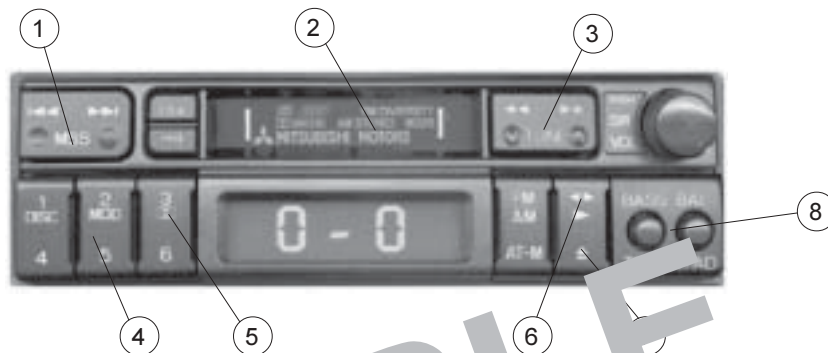


Warning Lamp

If the driver The A.B.S. warning lamp should illuminate when the ignition switch is turned "ON", and should go off in approx. 3 seconds.

If the warning lamp stays ON, it indicates that the A.B.S. is not functioning and that only the standard hydraulic brake system is in operation. (In this condition the standard hydraulic brake system will still function normally.)

Tape Operation

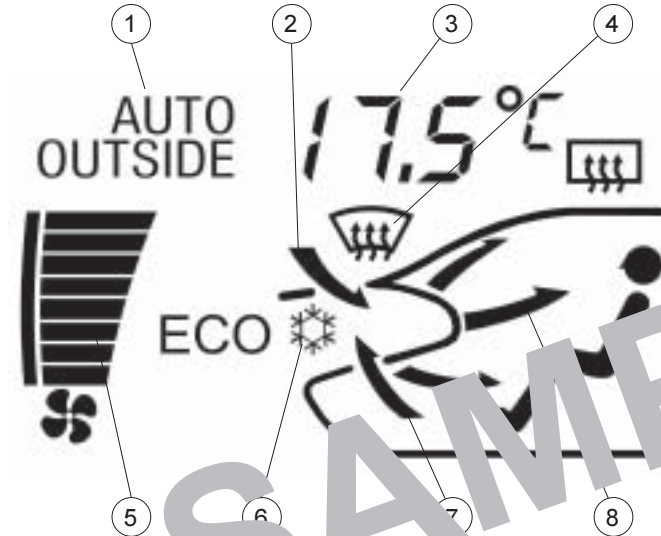


- | | |
|---|------------------------------------|
| 1. MSS Tape Skip Control Button | 5. Dolby Option Mode |
| 2. Tape | 6. Play and Reverse Play Mode |
| 3. Tape Fast Forward and Rewind Control | 7. Tape Eject Button |
| 4. Repeat Play Mode | 8. Balance / Treble / Fade Control |

Listening to a Tape

- Place a tape into the unit and it will automatically start playing. When the tape has reached the end of one side, the unit will begin playing the next side.
- Should you wish to switch to Tape function from CD or Radio options, simply press button (6). For METAL type tapes the display will show MTL automatically.
- To use the DOLBY Sound System mode simply press button (5) once for ON, once for OFF.
- To FF or REW the tape simply press either side of button (3)
- To listen to the reverse side of the tape press button (6)
- To FF or REW the tape automatically to the next or previous piece of pieces, press either side of button (1).
- To listen to the same piece repeatedly press button (2). Press again to cancel this option.
- Press button (7) to eject tape.

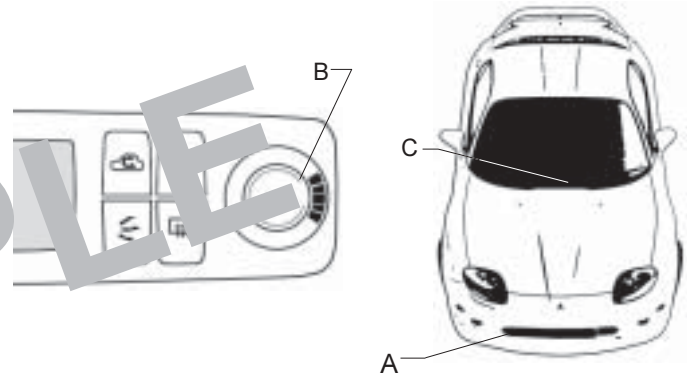
Display



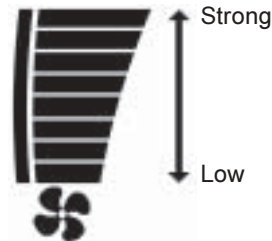
1. Auto Operat.
2. Fresh Air Display
3. Set / Outside Air Temperature
4. Front Defroster
5. Air Speed Flow
6. A/C Display
7. Re-Circulate
8. Air Direction Flow

Sensors

On models fitted with full climate control, there are three main system sensors, one is outside (A) to measure ambient temperature, one is dash mounted (B) and the sensor at the base of the windscreen (C) compensates for when too much sunlight enters the car.



Air Speed Display



Join the FTO Owners Club
www.ftooc.org



For details of how to join the FTO Owners Club please visit

www.ftooc.org

Email : membership@ftooc.org

Tel: 08707 650386

<http://www.mitsubishi-fto.org>

Copyright © Steve Hemming 1999 - 2002. All rights reserved.